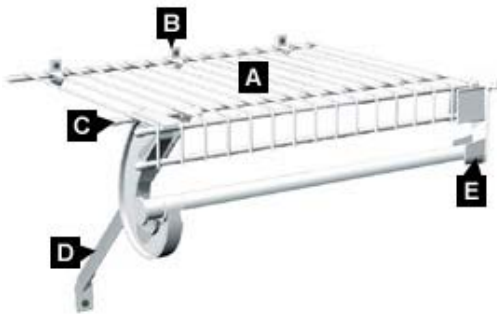




**Fixed Mount, the economical, easy-to-install,  
permanent storage system!**

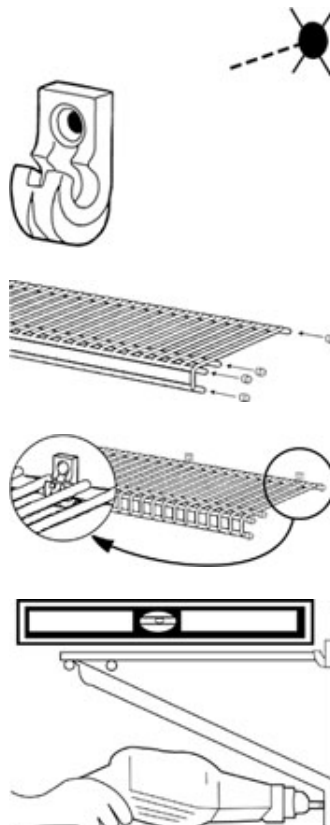
### ***Fixed Mount Components***



- A SuperSlide Shelving
- B Wall Clip
- C End Caps
- D Support Brackets
- E Wall Bracket

### **Easy Installation Process**

- Draw a level line 1/4" above the desired shelf height.
- Drill 1/4" holes every 12" starting 2" from each end.
- Insert wall clips into each 1/4" hole.
  
- Place end caps on your wire shelving ends.
  
- Insert the shelf into the wall clips.
  
- Install support brackets every 3 feet and at each end of any shelf that is not attached to a side wall.
- When installing shelving to a side wall, use a wall bracket on the end.



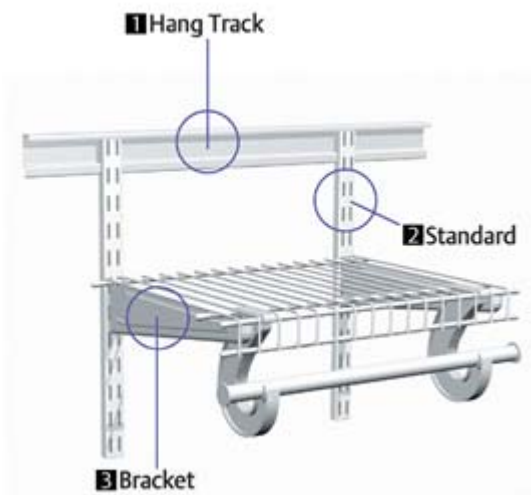
[Back To Index](#)

**If you were unable to find a resolution to your problem within these help files,  
please click here to contact our support team.**



## ShelfTrack™, the Fast, Easy, Adjustable Shelving System that Installs in Minutes!

### ShelfTrack™ Components



#### 1 Hang Track

- Provides level installation of standards.
- Reduces the amount of hardware for the total installation.

#### 2 Standards

- Double-slot design for the ultimate in strength and adjustability.
- Can be used with Hang Track or mounted directly to the wall.

#### 3 Brackets

- Can be used with all ClosetMaid wire shelving.
- Locks shelving into place.

### 4-Step Easy Installation Process

1. Level and fasten Hang Track



2. Hang standards no more than 24" apart



3. Attach brackets and shelving

4. Secure midpoint of each standard to wall



[Back To Index](#)

If you were unable to find a resolution to your problem within these help files,  
please click here to contact our support team.